

MixRite 2.5 Plastic spring



The new plastic spring is made from PEEK .

Tefen initiated using those springs as a default for MixRite 2.5 models in 2/2012.

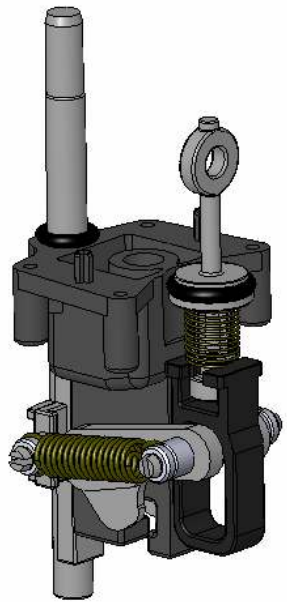
Reasons for improvement are:

- high chemical resistance

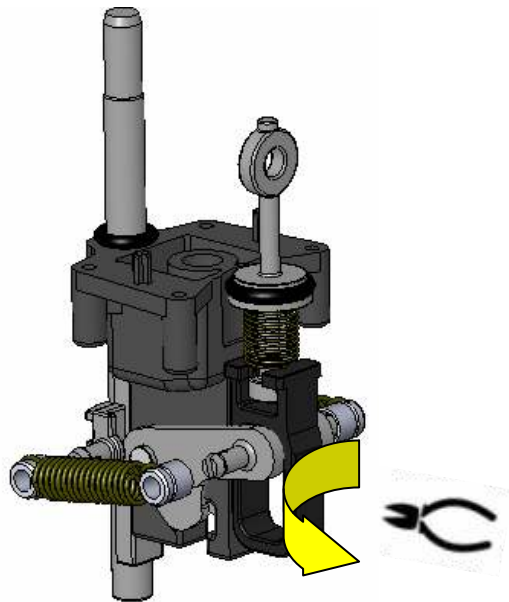
- longer life

- shorter lead time

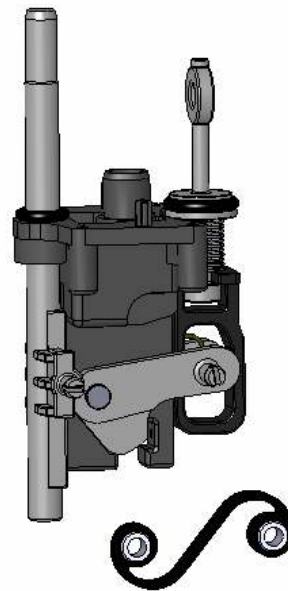
MixRite 2.5 Plastic spring replacement



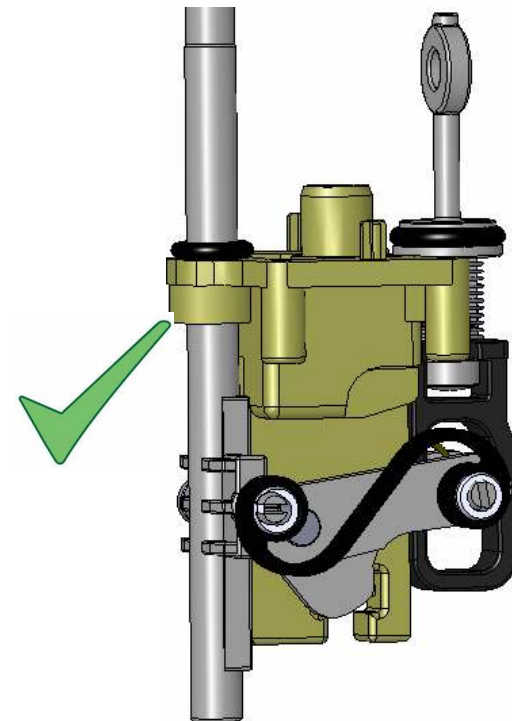
1



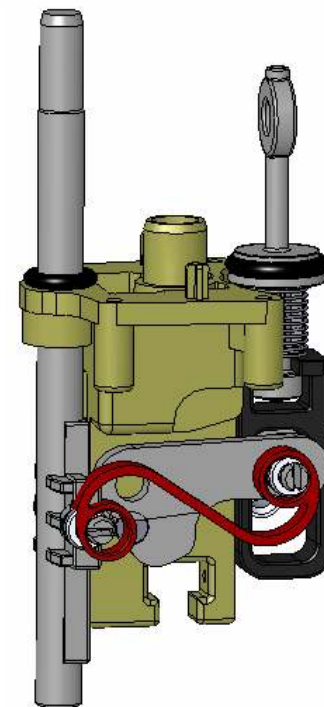
2



3



4



x2

#36000000191